

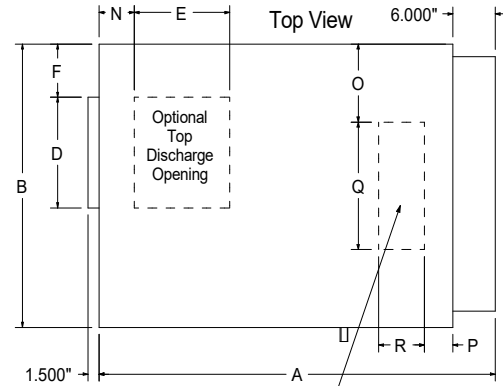
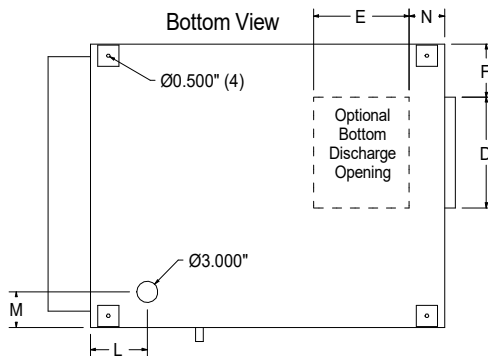
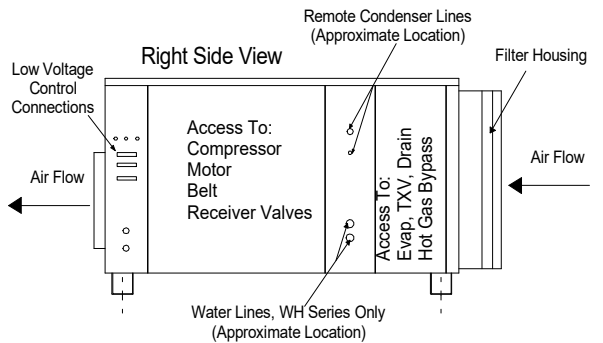
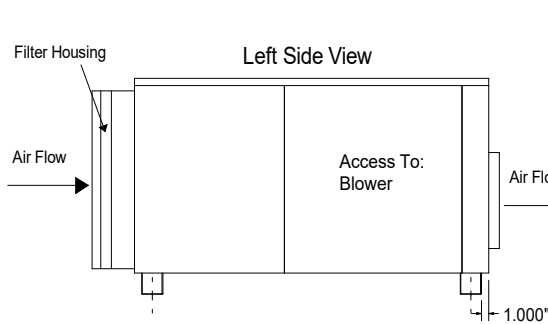
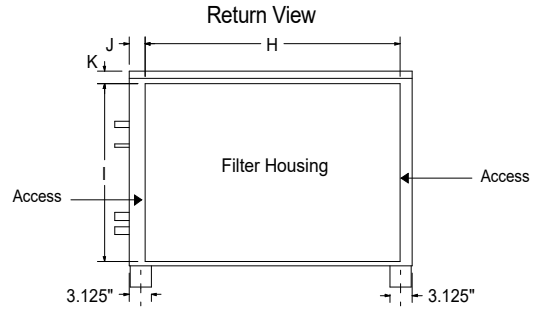
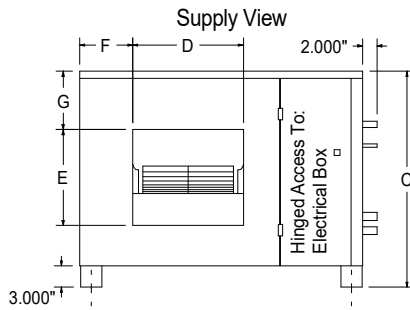
AIR COOLED - NON WATER HEATING DEHUMIDIFIERS

DCA 2000Y, DCA 2500Y

WATER HEATING ASSIST DEHUMIDIFIERS

DCA 900YWH, 1500YWH

PHYSICAL DIMENSIONS - RIGHT HAND ACCESS



Optional Fresh Air Opening (Max. 25% Of Total CFM)

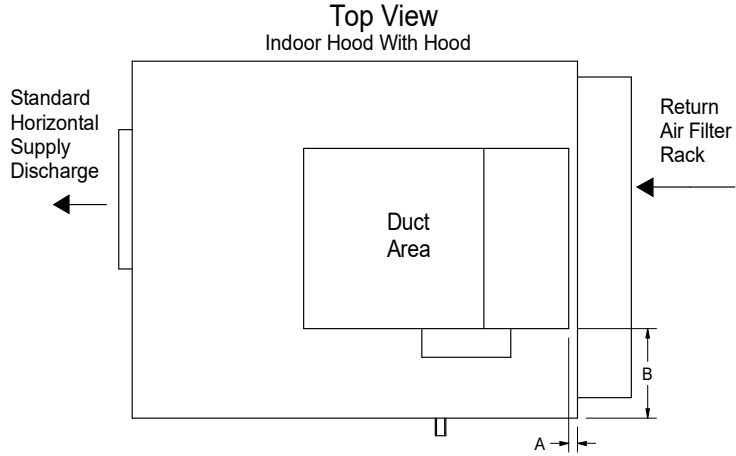
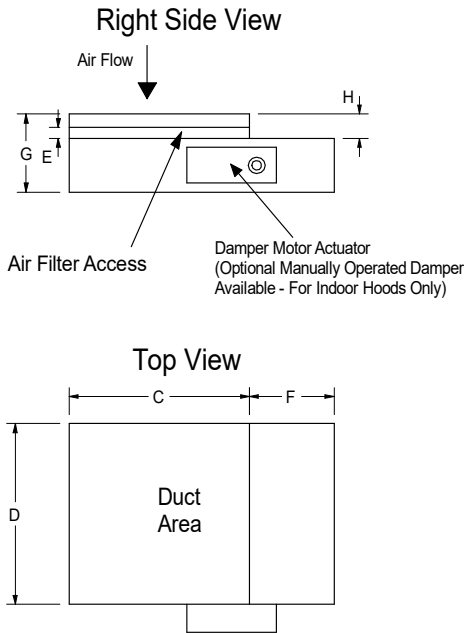
	A	B	C	D	E	F	G	H	I	J	K	L	M	N	O	P	Q	R
DCA 900YWH	56	40	30 1/2	13 1/4	11 3/8	10 1/4	11 1/8	25	25 1/8	6	1 1/4	8	5	7	15	5	10	5
DCA 1500YWH	56	40	30 1/2	13 1/4	11 3/8	10 1/4	10 3/4	25	25 1/8	6	1 3/4	8	5	7	11	4 1/8	18	6 1/2
DCA 2000Y	56	40	30 1/2	15 5/8	13 1/2	7 1/2	10 3/4	36	25 1/8	2 1/4	1 3/4	8	5	5	11	4 1/2	18	6 1/2
DCA 2500Y	56	40	30 1/2	15 5/8	13 1/2	7 1/2	10 3/4	36	25 1/8	2 1/4	1 3/4	8	5	5	11	4	18	6 1/2

CAUTIONS: All dimensions are in inches and are subject to change without notice.

MAKE UP AIR HOODS

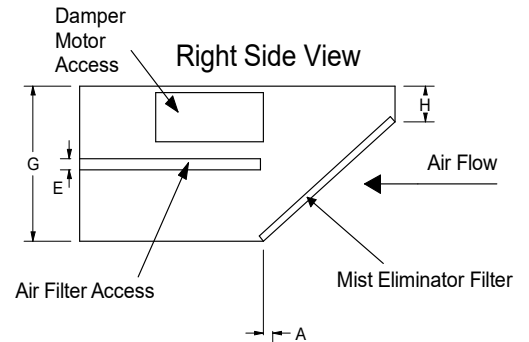
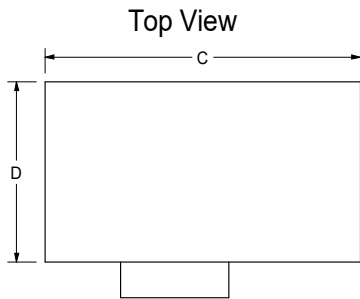
AIR COOLED - NON WATER HEATING DEHUMIDIFIER
DCA 2000Y, 2500Y
WATER HEATING ASSIST DEHUMIDIFIER
DCA 900YWH, 1500YWH

INDOOR HOOD (INDOOR INSTALLATION)

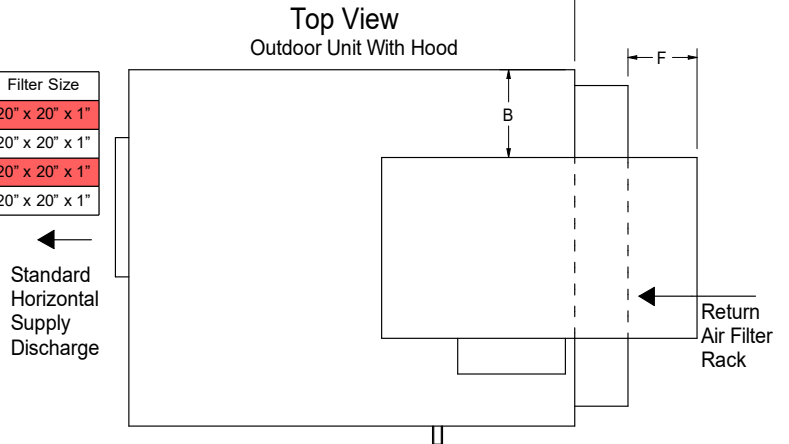


Model	A	B	C	D	E	F	G	H	Filter Size
DCA 900YWH	1	9 7/8	20 1/4	20 1/4	1 1/4	9 1/2	9 1/4	3 1/4	20" x 20" x 1"
DCA 1500YWH	1	9 7/8	20 1/4	20 1/4	1 1/4	9 1/2	9 1/4	3 1/4	20" x 20" x 1"
DCA 2000Y	1	9 7/8	20 1/4	20 1/4	1 1/4	9 1/2	9 1/4	3 1/4	20" x 20" x 1"
DCA 2500Y	1	9 7/8	20 1/4	20 1/4	1 1/4	9 1/2	9 1/4	3 1/4	20" x 20" x 1"

OUTDOOR HOOD (OUTDOOR INSTALLATION)



Model	A	B	C	D	E	F	G	H	Filter Size
DCA 900YWH	1	9 7/8	35 3/8	20 1/4	1 1/4	7 3/4	17 3/8	4	20" x 20" x 1"
DCA 1500YWH	1	9 7/8	35 3/8	20 1/4	1 1/4	7 3/4	17 3/8	4	20" x 20" x 1"
DCA 2000Y	1	9 7/8	35 3/8	20 1/4	1 1/4	7 3/4	17 3/8	4	20" x 20" x 1"
DCA 2500Y	1	9 7/8	35 3/8	20 1/4	1 1/4	7 3/4	17 3/8	4	20" x 20" x 1"



CAUTIONS: All dimensions are in inches and are subject to change without notice.